

SPECIFICATIONS

REVISIONS				
ZONE	REV	DESCRIPTION	DATE	APPROVED

ELECTRICAL:

	L2/L5 GPS L2/L5 Glonass/ ESAE/EMER Galileo	L2 GPS	Rx L-Band/ L6 Galileo	L1 GPS/ L1/E1/E2 Galileo	L1 Glonass
FREQUENCY (MHz):	(1148-1301)	(1227.80±12)	(1525-1560)	(1555-1595)	(1802-1826)
ANTENNA GAIN (dBi):		Free Space 4 ft G.P.	Free Space	Free Space 4 ft G.P.	Free Space
@ 90° (ZENITH):		+3.3 +4.9	+3.1	+5.5 +4.5	+4.3
@ 10° Elevation:		-3.8 -3.6	-3.7	-1.2 -1.4	-2.2
@ 20° Elevation:		-2.0 -0.1	-2.0	+0.3 +1.4	-0.8
@ 30° Elevation:		-0.5 -1.8	-1.3	+1.8 +2.2	+0.8
@ 60-90° Elevation:		>2.7 >3.0	>2.0	>4.8 >3.8	>+3.5
BEAMWIDTH (3dB):		108 Deg.	75 Deg.	108 Deg.	130 Deg.
RADIATION PATTERN:	HEMISPHERICAL				
POLARIZATION:	RHCP				
VSWR:	< 1.5:1				
IMPEDANCE:	50 ohms				
AXIAL RATIO:	3 dB				
LIGHTNING PROTECTION:	DC GROUNDING				
LNA OPTION					
LNA GAIN:	40 dB (-A4), 20 dB (-A2), 35 dB (-A)				
LNA NOISE FIGURE:	3.0 dB				
LNA P1dB Out:	+13 dBm				
LNA DC POWER:	(2.5-24) Volts @ < 39 mA				
POWER HANDLING:	200 Watts CW (WITHOUT LNA), 1 Watt CW (WITH LNA)				

SIZE: DIAMETER: 3.50 in. [88.90 mm]
HEIGHT: 0.690 in. [17.53 mm], 0.58" [14.73] (Optional for Passive)

WEIGHT: 6.8 oz. (191 g)

FINISH: SKYDROL RESISTANT POLYURETHANE ENAMEL WITH NICKEL PLATED BASE

MATERIAL: 6061-T6 ALUMINUM ALLOY BASE COMPOSITE RADOME, IMPACT, ABRASION, UV, SOLVENT, SKYDROL RESISTANCE AND FIRE RETARDANT

CONNECTOR: TNC FEMALE CONNECTOR (OPTION: SMA, TNC Bulkhead, N, N Bulkhead, MCX, MMCX, or Cable)

ENVIRONMENTAL:

TEMPERATURE: -67 °F TO +185 °F [-55 °C TO +85 °C]

ALTITUDE: 70,000ft.

VIBRATION: > 30 G's

LEAKAGE: HERMETICALLY SEAL

FEDERAL & MILITARY SPECIFICATIONS

DESIGN TO: FAA TSO-C144, DO-160D, DO-228, MIL-C-5541, MIL-E-5400, MIL-I-45208A, MIL-STD-810, AND SAE J1455

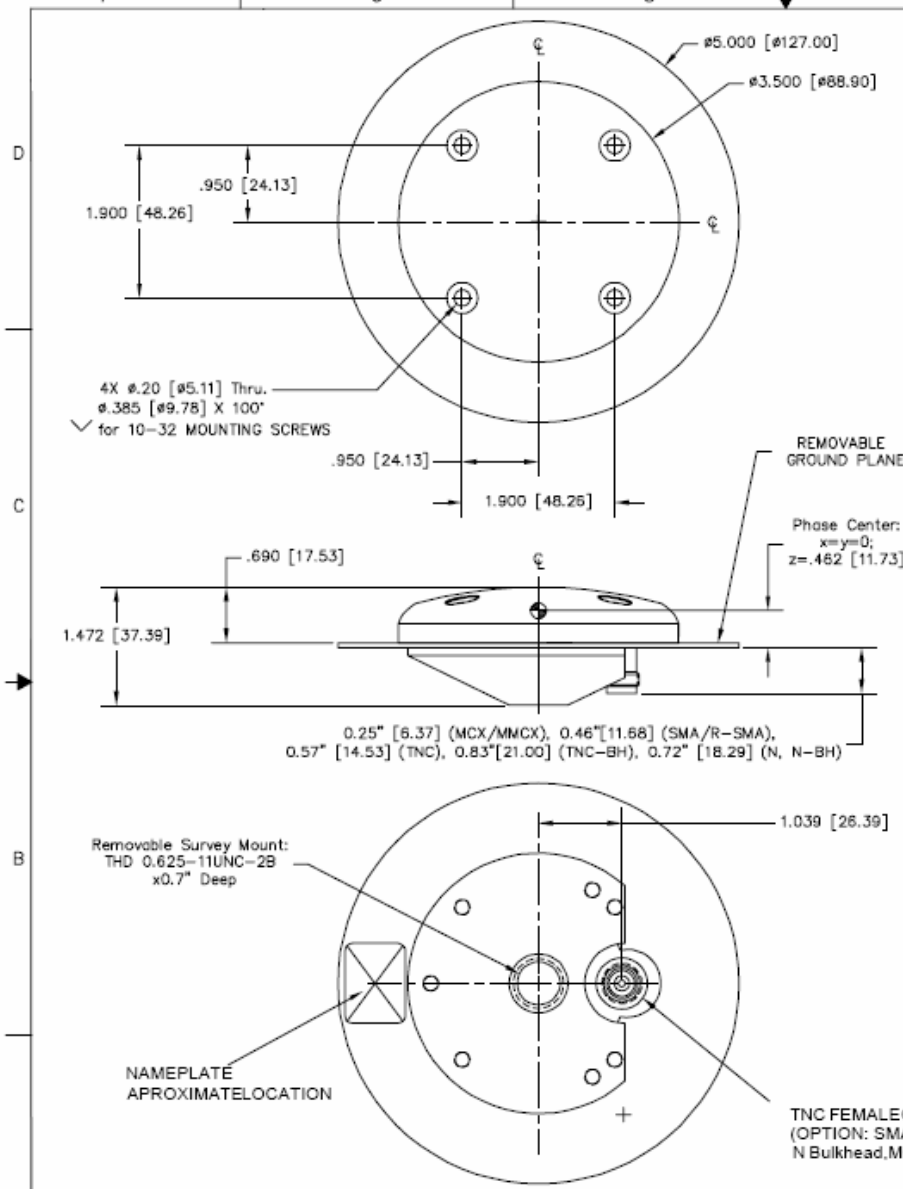
ACCEPTANCE TEST PROCEDURE ATP-GPS-L1L2-100

QUANTITY	DESCRIPTION	PARTS LIST	PART NO.	FINISH	REF.
4	MOUNTING SCREWS: 10-32, 3/4"		MS24693C274	-	5
1	5" DIA. GROUND PLANE		12G1215P001-96 RevA	-	3
1	SURVEY ANTENNA MOUNT		MTR-3 Rev A	-	2

DATE	BY	CHKD	BY	APPRD	BY	DATE	REV	DESCRIPTION

Active L1/L2 GPS, Glonass/L-Band/Galileo Antenna

3CVE1 53G01216A4-XT-1



Mag mount/Screw Mount and Pole mount all available options

SIZE	FREQ. BAND	LNA	CABLE LENGTH	CONNECTOR	COLOR
1: 2" SQ.	42: ARINC 743	GO1216L1L2GPS/IGNSS/L-Band	A: 33 dB Gain	X: NO CABLE	S: SMA, P: PINS
1.5: 1.5" SQ.	S: 5" CIRCULAR	GO1215L1L2GPS/L-Band	A4: 40 dB Gain	M: MAG, N: NO MAG	-1: GLOSS WHITE #1752 PER FED-STD-595B
2: 2.6" DIA.		GO16L1GPS/IGNSS/L-Band	A2: 20 dB Gain	#: CABLE LENGTH (IN)	-2: LUSTERLE85GRAY#36320 PER FED-STD-595B
3: 3.6" DIA.		G1215L1L2	F: WITHOUT LNA	N, NB: N, N-Bulkhead	-3: OLIVEDRAB GREEN#34031 PER FED-STD-595B
			R: RIGHT ANGLE CON.	T, TB: TNC, TNC-Bulkhead	-4: LUSTERLE8BLACK#97038 PER FED-STD-595B